

nL Level

Nano-volume, Ultra-High-Precision Dispensing

Additional power for nano-deposit / high-precision dispensing, filling of liquid medicines, solvents and volatile materials



- ◆ **High stability dispensing** by digital control and measurement system.
- ◆ **Elimination of fluid drips issue** by unique plunger mechanism and suck-back function.
- ◆ Also compatible with micro-syringes, for **high-precision dispensing of liquid material nano-deposits.**

Suitable products

LSI, IC, hybrid IC, transistors, diodes, color LCD, PCBs and other types of semiconductors, LCD substrates and electronic components. Products with precision mechanisms such as watches, cameras and optical equipment, as well as medical supplies and foodstuff.

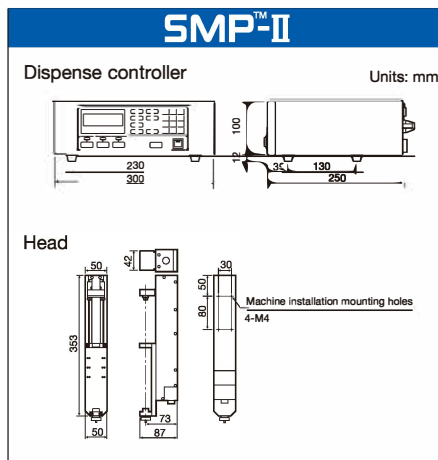
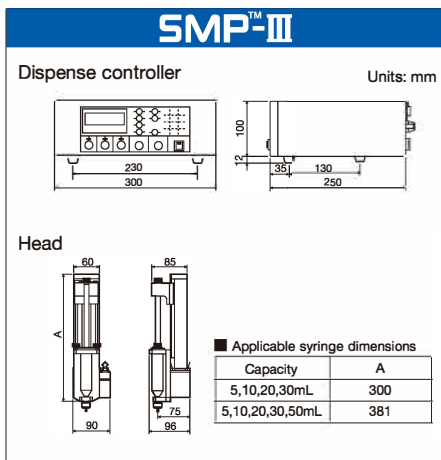
Applications

Nano-deposit filling, micro-deposit dispensing, spot applications, line applications, adhesives, potting, etc.

Specifications

Product name	Nano-volume Quantitative Dispenser NANO MASTER		
Model	SMP-III 30 mL Type	SMP-III 50 mL Type	SMP-II
Dispenser Controller Model	SMP-3-30	SMP-3-50	SMP-2
Dispensing system	SMP3-C		
Control system	Volume measurement system		
Applicable liquid materials	Microcomputer digital control system		
Applicable syringe	Anaerobic adhesive, silicon resin, liquid medicine, UV adhesive, volatile liquid material, flux, ink		
Dispensing modes	0.05, 0.5, 1, 5 or 10 mL micro-syringe 5, 10, 20 or 30 mL syringe	5, 10, 20, 30 or 50 mL syringe	
Dispensing volume setting range	TIMED mode, MANUAL mode, FINE mode/NORMAL mode		
Main functions	Automatic low fluid alarm, suck back, Synchro Speed, dispensing shot counter, stop watch, unit display switch, Japanese-English display switch		
Channel number	400 CH		
RS-232C serial communication	Available		
Input signals	Dispense, channel switching, dispensing mode switching, channel preset, channel step, Synchro Speed ON		
Output signals	Dispensing completion/in-dispensing (selectable), busy, error, remaining volume alert, in-maintenance, in-limit, power on, replacement required, operating direction		
Rated voltage and frequency	AC100-240 V 50/60 Hz		
Power consumption	45 W	55 W	
Conformity standards	CE marking machinery directive (low-voltage directive, EMC directive) EU RoHS		
Dispense head unit dimensions W*D*H	W90.5×D122.5×H300 mm	W90.5×D122.5×H381 mm	W50×D87×H352.5 mm
Weight of dispense head unit	2.3 kg	2.5 kg	1.8 kg
Dispense controller dimensions W*D*H	W300×D250×H111 mm		
Weight of dispense controller	4.5 kg		

External Dimensions



Example of desktop robot installation



Safety precaution
Make sure to read the instruction manual before you use the unit, for your safety.

* We reserve the right to change the specifications without notice.
* All copyrights are retained by MUSASHI ENGINEERING. Reprinting, reproducing, and/or transmitting as electronic data in whole or in part these material without prior written permission is strictly prohibited.

MUSASHI ENGINEERING, INC. is certified and registered according to ISO14001 ENVIRONMENTAL MANAGEMENT.



<https://musashi-engineering.de>

World Leading Dispenser
MUSASHI ENGINEERING, INC.

HEAD OFFICE
8-7-4, Shimorenjaku, Mitaka, Tokyo, 181-0013, Japan TEL : (81)422-76-7111 / FAX : (81)422-76-7122
BRANCH
TOKYO, OSAKA, NAGOYA, SENDAI, FUKUOKA, SAITAMA, NAGANO, EAST-KANTO, AKITA, KANAZAWA

SINGAPORE 114 Lavender Street, #08-88/89 CT Hub 2, Singapore 338729
TEL : (65)6258-2422 / FAX : (65)6258-4844

THAILAND No.12 Soi Bangna-Trad 25, Bangna, Bangkok 10260 Thailand
TEL : (66)2-022-9015 / FAX : (66)2-769-5450

INDONESIA Jl. MH. Thamrin, Robson Square, BlockA-15, Lippo Cikarang, Bekasi 17550, Jawa Barat, Indonesia
TEL : (62)21-8990-5005/ FAX : (62)21-8990-5004

GERMANY Marcel-Breuer-str. 15 80807 Munich Germany
TEL: +49(0) 89 321996-06 / FAX: +49(0) 89 321996-07

KOREA (902 No. 9 F. #C, Korea Bio Park.) 700, Daewangpangyo-ro, Bundang-gu, Seongnam-si, Gyeonggi-do 13488, Korea
TEL : (82)31-702-3811 / FAX : (82)31-702-3881

TAIWAN 8F-2, No. 158, Sec. 2, Gongdao 5th Road, Hsinchu, Taiwan 30070
TEL : (886)3-572-9200 / FAX : (886)3-572-9300

CHINA
HONG KONG Unit 1706, 17/F., Greenfield Tower,(South)Concordia Plaza, No.1 Science Museum Road, T.S.T.East, Kowloon, H.K.
TEL : (852)2620-5799 / FAX : (852)2620-5771

SHANGHAI A-120 Room, No.525 Xian Feng Street (No.55 Jin Yu Road), Min Hang, Shanghai, China
TEL : (86)21-6446-7881 / FAX : (86)21-6446-7882

SHENZHEN Room 702, West Tian'an Tech Plaza II, Tian'an Cyber Park, Futian District Shenzhen, China
TEL : (86)755-8346-6822 / FAX : (86)755-8346-6866

TIANJIN Room 1206, Sino Ocean International Center, No. 40 Huachang Road, Hedong District, Tianjin
TEL : (86)22-5856-2051

SUZHOU Room 1010, No.188 Wang Dun Road, GENWAY BUILDING, Suzhou City Industrial estate Distric, Jiangsu, CHINA
TEL : (86)512-6878-4428 / FAX : (86)512-6878-4438